



AC BATTERY

LiFePO4 Powerwall Battery

PRODUCT | KEY FEATURES

-  **Lithium iron phosphate chemical material**
-  **Safer performance**
-  **Superior energy density**
-  **Intelligent battery management system**
-  **Intelligent monitoring system**
-  **Environmentally friendly**
-  **Scalability**
-  **Maintenance-free**
-  **UL Listed**
-  **Discharge tested**

ADiSTOR series

The ADiSTOR series LiFePO4 battery provides a highly efficient, reliable, and long-lasting energy storage solution at an affordable cost.

The ADiSTOR series LiFePO4 battery is ideal for off-grid and hybrid applications. It has the ability to be wall mounted and rack mounted. It's chrome plated handles make it easy for installation. Overall performance checks and advanced configuration is accessible with the USB to RS232 cable which allows users to connect to a computer for monitoring.

PRODUCT CERTIFICATES



UN 38.3



IEC62619

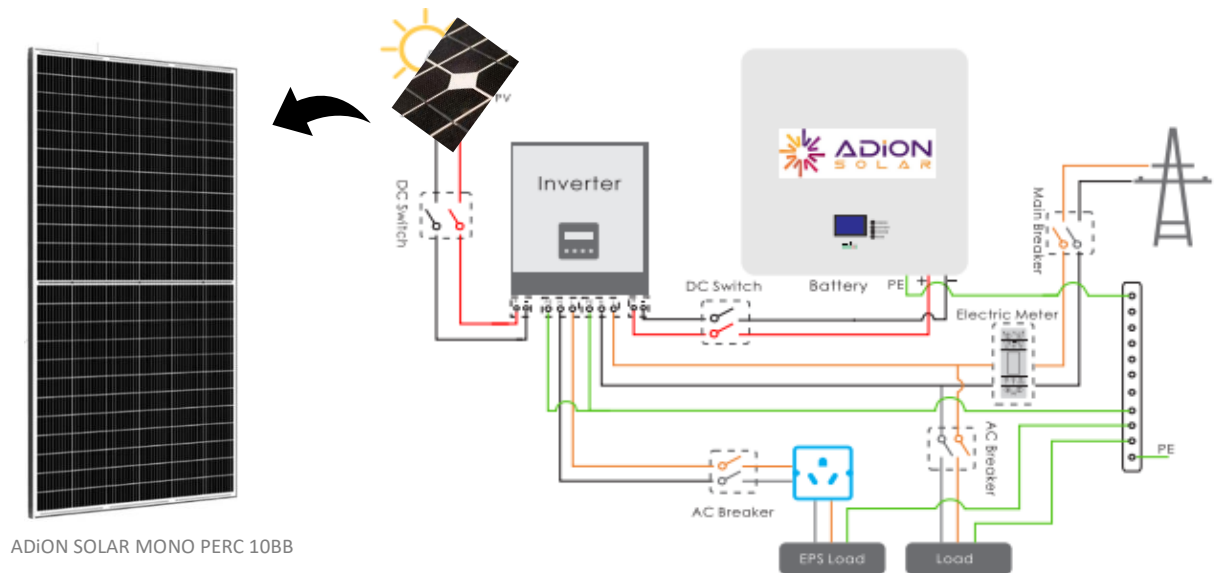


YEAR PRODUCT WARRANTY



6,000 RECHARGE CYCLES

MODEL NUMBER	
YL-W48200	
PERFORMANCE SPECIFICATIONS	
Nominal Voltage [V]	48
Nominal Capacity [Ah]	200
Nominal Energy [kWh]	9.6
Max. Output Power [kW]	4.8
Working Voltage [V]	40-54
Max. Current Charge [A]	100
Max. Discharge Current [A]	100
Recommend Charge Current [A]	40
Watt-hour [Wh]	9600
Charge Mode	CC-CV
Chemistry	Lithium Iron Phosphate
Warranty	5 years
Certifications	CE/UN38.3/IEC62619/EN61000-3/EN61000-6/ROHS/MSDS
ENVIRONMENTAL SPECIFICATIONS	
Working Temperature[°C]	-20°C to 60°C
Operating Temperature Charging [°C]	0°C to 55°C
Operating Temperature Discharging [°C]	-20°C to 60°C
Temperature & Period Storage [°C]	Less than 6 Months@ '-10°C to 35°C
	Less than 3 Months@ '-10°C to 45°C
	Less than 1 Month@ '-20°C to 45°C
Relative Humidity	5% to 85%RH
MECHANICAL SPECIFICATIONS	
Dimensions [mm]W*D*H	520*520*230
Net Weight [kg]	87
Installation	Can be rack mounted, wall mounted, or lay flat; avoid high humidity environments
Communication	CAN/RS485/RS232/Dry Contact
IP Level	IP30
Compliance	UL 1973



Caution: Please read safety and install instructions before using the product.

Disclaimer: Specifications included in the datasheet are subject to change without prior notice owing to conditions innovation on the product development and R&D activities. ADiON Solar reserves the right to make any adjustments to the information described here, Dataset contained in this specification do not form a representative of a single module data. @ T&C Apply.

To learn more about ADiON Solar offerings and products, visit www.adionsolar.com